

DESERT

Recessed LED ceiling light with symmetrical light distribution on a flood beam. A sanded glass diffuser ensures a uniform light distribution. Low installation depth required. Square frame.

Dimensions

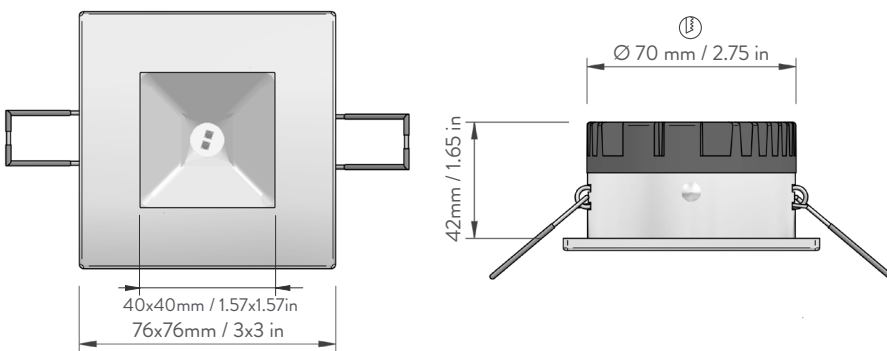
Frame dimension: $\varnothing 76 \times 76$ mm / 3x3 in
 Height: 42 mm / 1.65 in
 Cut out: $\varnothing 70$ mm / 2.75 in

Materials

Body / Frame: AISI 316L Stainless Steel
 Heatsink: Black anodised aluminum
 Protective glass: Sanded Glass



Drawings



Photometric measurements

ALUMINUM REFLECTOR
 BEAM: 73°

Lumen: 245
 Watt: 5
 Lm/W: 52
 CCT: 3000K
 CRI: 80 TYP

Cone Diagram		
Lux	h/m	\varnothing/m
167	1	1.47
42	2	2.94
19	3	4.40

CRI95 model available on request.

ITEMS	POWER SUPPLY		COLOR TEMP.	BODY FINISHES	
CODE	CLL Vdc 24 DRIVER INCLUDED	CSL Vf 9 IF 500 mA DRIVER NOT INCLUDED	3000K	POLISHED S.STEEL	LACQUERED RAL9010 GLOSS
20 DESER01	D	- N	3	SS40 - LA	



Information provided with this document may be subject to change at any time.

RELEASED ON 13.05.2019