

**COURTESY LIGHTS**

*for Yacht Interiors and Villa Indoor*



**LECCE**



SMALL SQUARE FRAME  
ONE SIDE LIGHT DISTRIBUTION  
LOW INSTALLATION DEPTH REQUIRED

**BODY FINISHES**



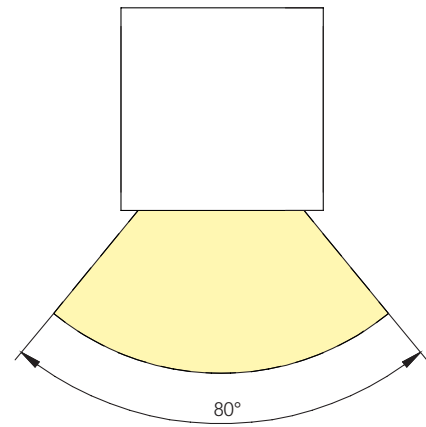
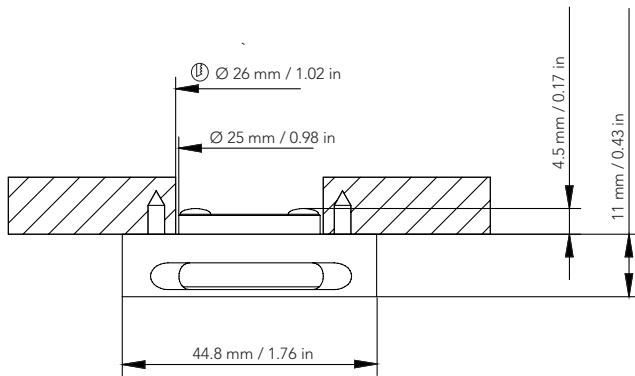
**MATERIALS**

ALUMINUM BODY  
STAINLESS STEEL FRAME  
PMMA DIFFUSER

**APPLICATIONS**

PATHWAY LIGHTING  
STAIR LIGHTING

ITEM	POWER SUPPLY	COLOR TEMP.	BODY FINISHES
CODE	CLL Vbc 24 DRIVER INCLUDED	2700K 3000K	POLISHED S.STEEL
30LECCE01	D	2 - 3	SS40



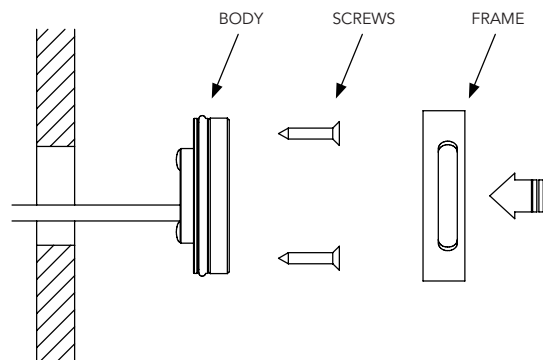
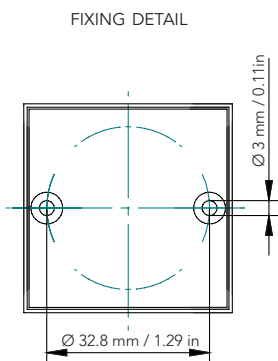
PHOTOMETRIC DATA

BEAM: ASYMMETRIC  
 WATT: 1.5  
 CRI: ≥90

LUX	H/M	Ø/M
--	1	--
--	2	--
--	3	--

PHOTOMETRIC CALCULATION  
 NOT AVAILABLE

INSTALLATION STEPS



1. FIX THE BODY TO THE VERTICAL SURFACE WITH SCREWS.
2. INSERT THE FRAME ON THE BODY