

# OCEAN V2

Recessed ceiling LED downlight with symmetrical light distribution on a wide beam and a high degree of protection. A sanded glass diffuser ensures a uniform light distribution. Low installation depth required. Square frame.

### Dimensions:

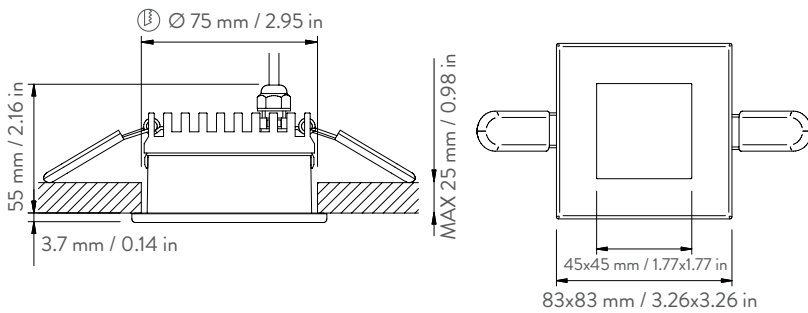
Frame dimension: 83x83 mm / 3.27x3.27 in  
 Height: 58.7 mm / 2.31 in  
 Cut out: 75 mm / 2.95 in

### Materials:

Body / Frame: Aisi 316L Stainless Steel  
 Heatsink: Black anodised aluminum  
 Protective glass: Sanded Glass



### DRAWING



### PHOTOMETRIC DIAGRAMS

ALUMINUM REFLECTOR  
 BEAM: 78°

Cone Diagram		
Lux	h/m	Ø/m
337	1	1.61
84	2	3.22
37	3	4.83

Lumen: 579  
 Watt: 10  
 Lm/W: 58  
 CCT: 3000K  
 CRI: 80 TYP

5W MODEL MEASUREMENTS AVAILABLE ON REQUEST  
 NOTE : CRI95 MODEL AVAILABLE ON REQUEST

ITEMS	POWER SUPPLY	COLOUR TEMP.	FRAME FINISHES
CODE	<b>CLL</b> V <sub>dc</sub> 24 DRIVER INCLUDED (5W)  <b>CSL</b> Vf 28 If 350 mA DRIVER NOT INCLUDED (10W)	3000K	POLISHED STAINLESS STEEL      LACQUERED RAL9010 GLOSS
<b>20OCEANEXT01</b>	<b>D - N</b>	<b>3</b>	<b>SS - LA</b>



Information provided with this document may be subject to change at any time.

RELEASED ON 13.05.2019