

DOWNLIGHTS

for Exteriors



SUSY 105 V2



- ROUND FRAME
- WIDE BEAM LIGHT DISTRIBUTION
- VERY LOW INSTALLATION DEPTH REQUIRED
- SPRING MOUNTING

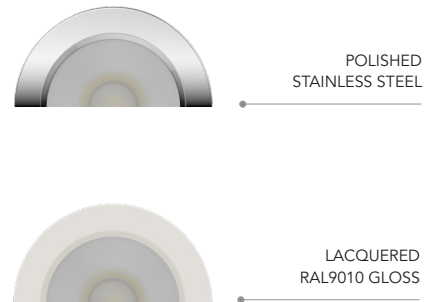
MATERIALS

- STAINLESS STEEL BODY
- ALUMINUM HEATSINK
- PROTECTIVE SANDED GLASS
- PMMA LENS

APPLICATIONS

- GENERAL LIGHTING
- ACCENT LIGHTING

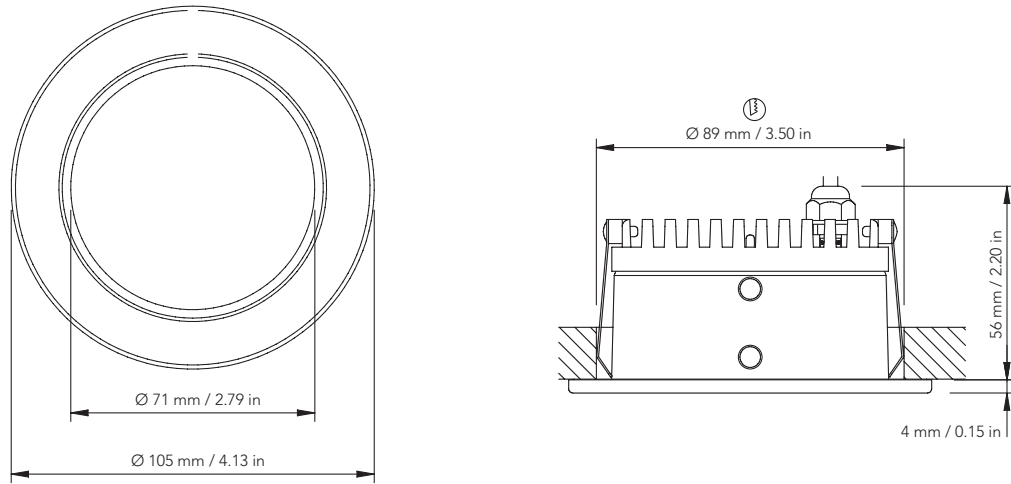
BODY FINISHES



POLISHED
STAINLESS STEEL

LACQUERED
RAL9010 GLOSS

ITEM	POWER SUPPLY		COLOUR TEMP.	FRAME FINISHES	
CODE	CLL Vdc 24-32 DRIVER INCLUDED	CSL Vf 28 If 350 mA DRIVER NOT INCLUDED	3000K	POLISHED S.STEEL	LACQ. RAL9010 GLOSS
20SUSYEXT01	D - N		3	SS - LA	



PHOTOMETRIC DATA

ALUMINUM REFLECTOR

BEAM: 51°

LUMEN: 776

WATT: 10

L/W: 78

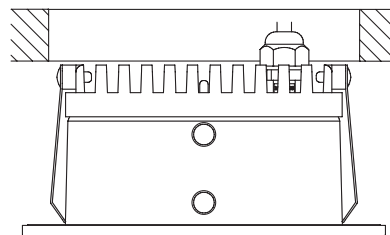
CCT: 3000K

CRI: 80

NOTE: CRI95 MODEL AVAILABLE ON REQUEST

LUX	H/M	Ø/M
759	1	0.94
190	2	1.89
84	3	2.83

INSTALLATION STEPS



INSERT THE PRODUCT FROM THE FRONT OF THE PANEL